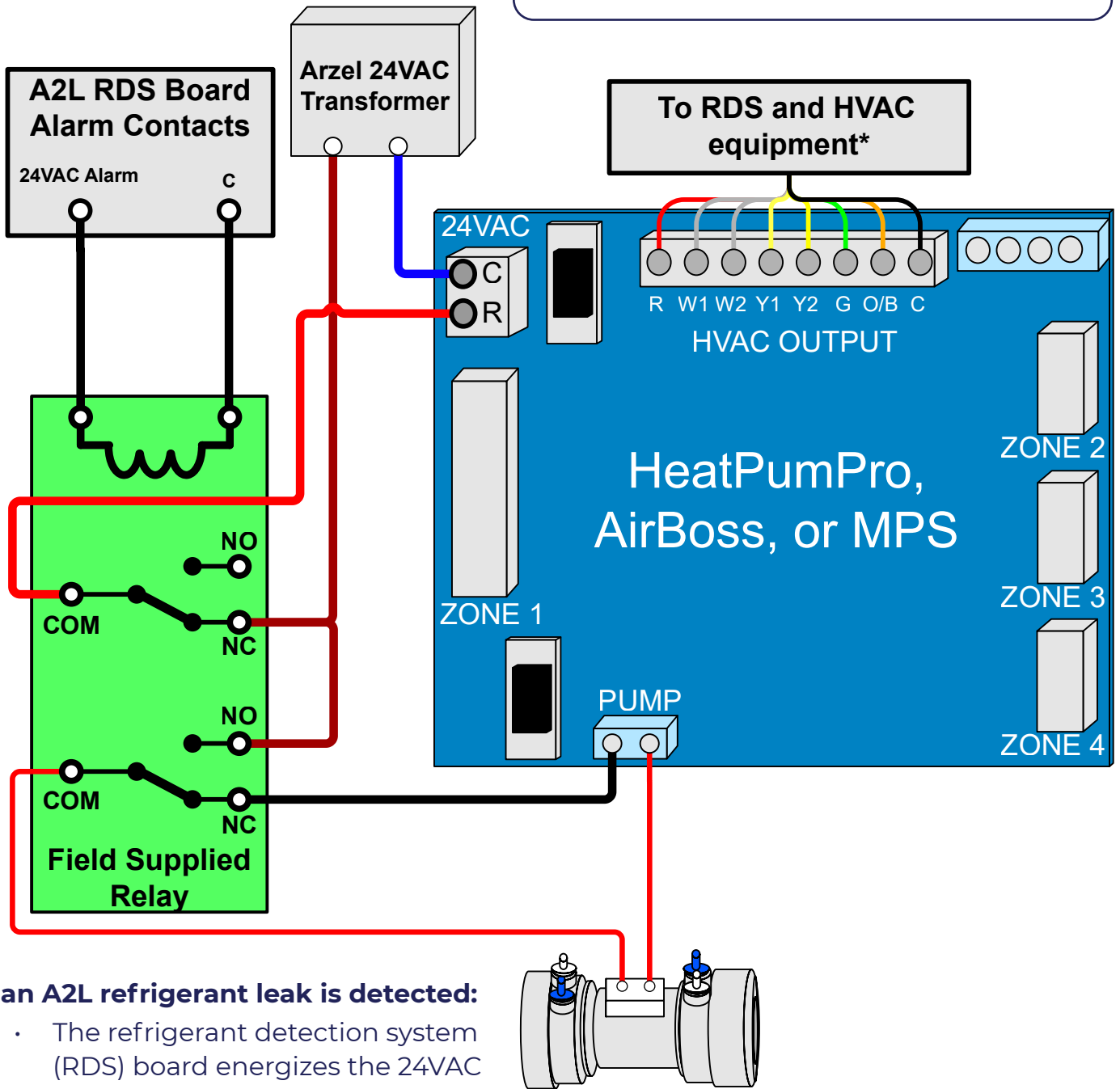




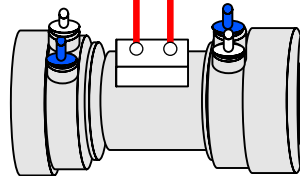
**A2L Mitigation Wiring  
with Alarm Contact that Turns  
ON During Leak**

Arzel Technical Support  
1-800-611-8312  
techsupport@arzelzoning.com



**If an A2L refrigerant leak is detected:**

- The refrigerant detection system (RDS) board energizes the 24VAC alarm contact
- The relay will be energized
- The Arzel Zoning board will lose power
- The air pump will run continuously.
- All zoning dampers will open



**\* Wire HVAC outputs as if they were connections for a thermostat.**