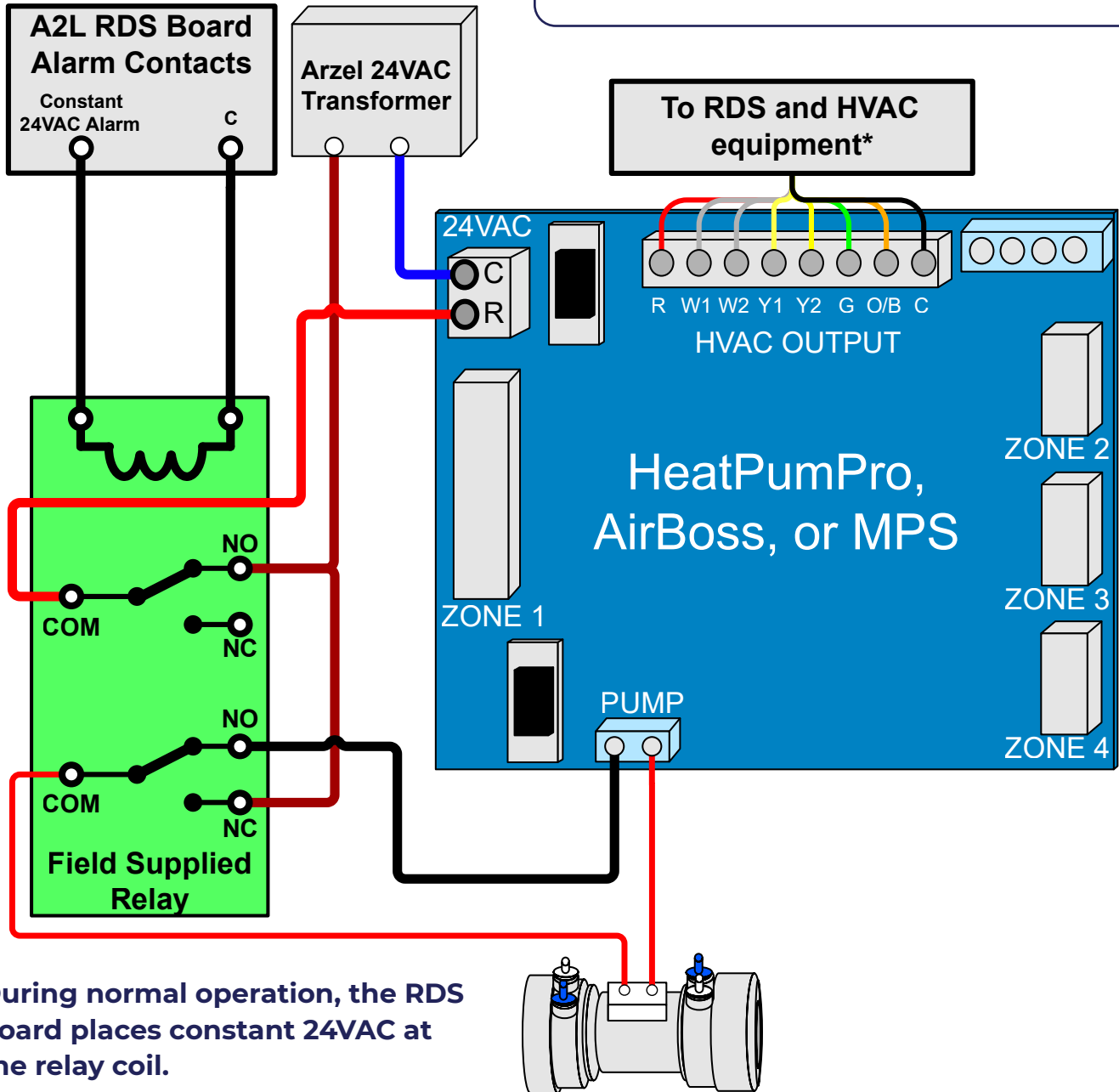




**A2L Mitigation Wiring
with Alarm Contact that Turns
OFF During Leak**

Arzel Technical Support
1-800-611-8312
techsupport@arzelzoning.com



During normal operation, the RDS board places constant 24VAC at the relay coil.

If an A2L refrigerant leak is detected:

- The relay will be de-energized
- The Arzel Zoning board will lose power
- The air pump will run continuously
- All zoning dampers will open

*** Wire HVAC outputs as if they were connections for a thermostat.**