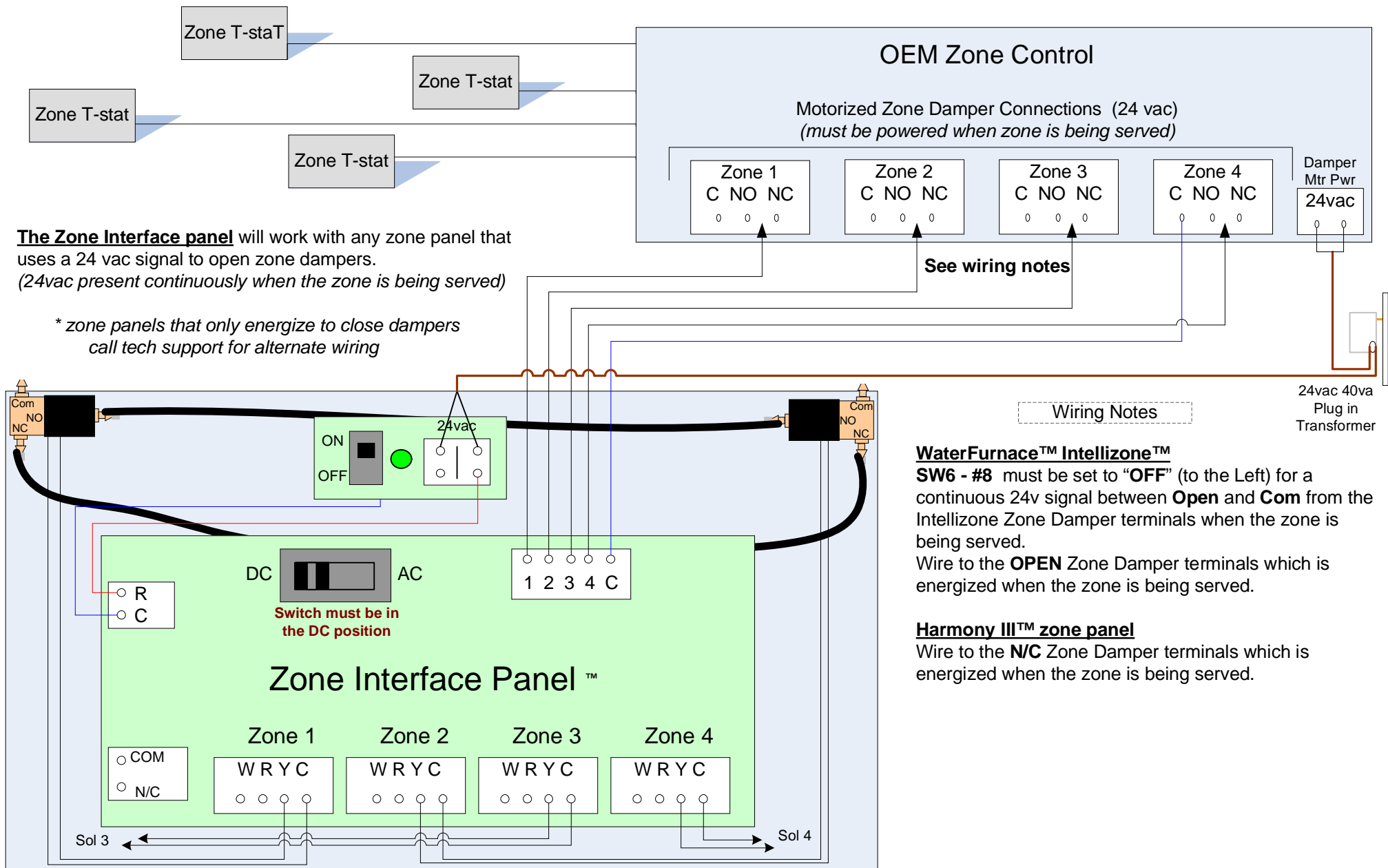


# Zone Interface Panel™



**The Zone Interface panel** will work with any zone panel that uses a 24 vac signal to open zone dampers. (24vac present continuously when the zone is being served)

\* zone panels that only energize to close dampers call tech support for alternate wiring

See wiring notes

### Wiring Notes

**WaterFurnace™ Intellizone™ SW6 - #8** must be set to "OFF" (to the Left) for a continuous 24v signal between **Open** and **Com** from the Intellizone Zone Damper terminals when the zone is being served. Wire to the **OPEN** Zone Damper terminals which is energized when the zone is being served.

**Harmony III™ zone panel** Wire to the **N/C** Zone Damper terminals which is energized when the zone is being served.

24vac 40va Plug in Transformer

Description: Zone Interface Panel Installation wiring

Drawing Number: WZVI-0911

Drawn By: JCR

Date Drawn: 9/25/2009

Revision Date: 9/07/2011

Arzel Zoning Technology, Inc.  
4801 Commerce Parkway  
Cleveland, OH 44128  
Ph: 800-611-8312  
www.arzelzoning.com

