

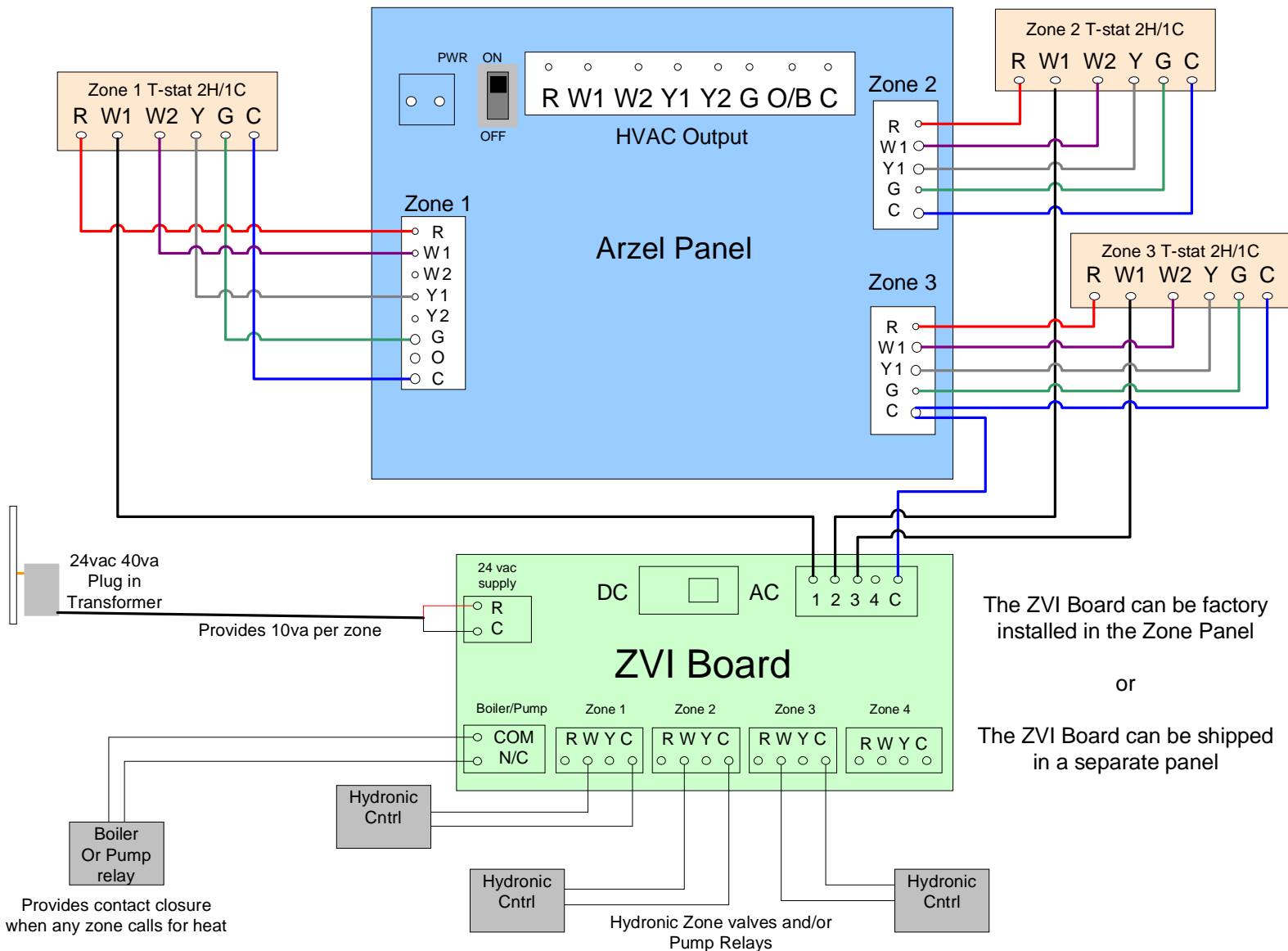
Arzel Zoning Technology, Inc.

ZVI (Zone Valve Interface) Diagram

Stage 1 Heat to control Hydronic Heat via ZVI Brd

~

Stage 2 Heat to control Forced Air Heat via Zoned Output



Technical Support Hot-Line 1-800-611-8312
www.arzelzoning.com