

EzySlide Damper

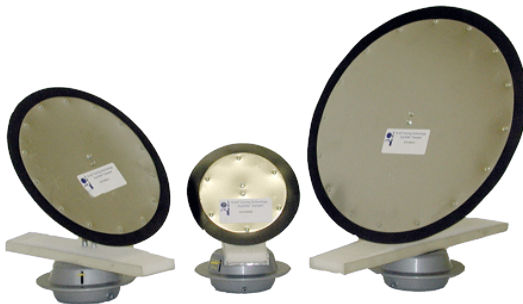
Arzel EzySlide Dampers are zone dampers used in an HVAC zone control system. They are air driven and are installed by cutting an opening in existing ductwork, sliding the damper into place, turning the damper 90°, and then fastening the damper down with zip screws.



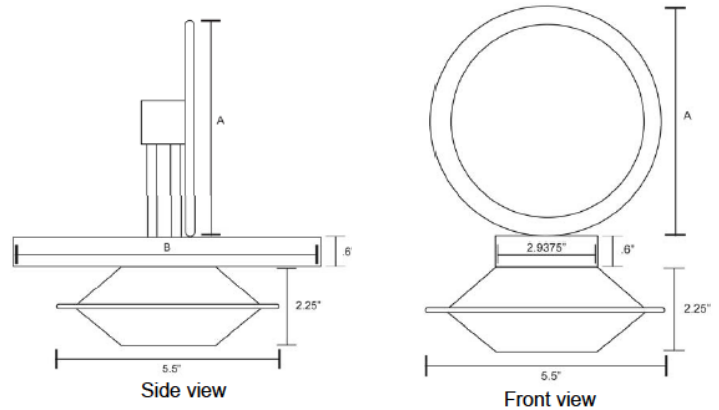
Damper Features

- Actuator is driven by low pressure air that is supplied by an industrial mini-pump contained inside the Arzel® control panel. This not only makes Arzel® dampers extremely reliable, but also simplifies zone configuration since instead of being wired back to the panel the dampers are connected by color-coded, UL-rated tubing.
- Patented EzySlide™ design makes Arzel® dampers the simplest to install. Simply apply the included template to the ductwork, cut the access hole, insert the damper, twist the damper to align, fasten with sheet metal screws and attach the tubing.
- All dampers are covered by a full ten (10) year parts and labor warranty that stays with the equipment.

Round EzySlide Damper



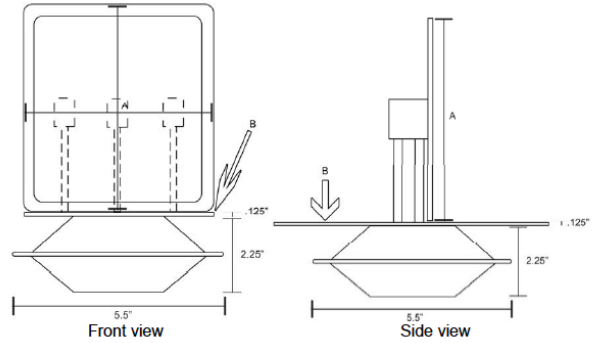
Round EzySlide Dampers are perfect for branch dampering when you have access to the duct work.



Part Number	A: Blade Diameter	B: Rail Length	Shipping Weight (lbs.)
STK-R00004	4.5"	6"	1.4
STK-R00005	5.5"	7"	1.5
STK-R00006	6.5"	8"	1.6
STK-R00007	7.5"	9"	1.7
STK-R00008	8.5"	10"	1.8
STK-R00009	9.5"	11"	1.9
STK-R00010	10.5"	12"	2.0
STK-R00012	12.5"	14"	2.1
STK-R00014	14.5"	16"	2.2
STK-R00016	16.5"	18"	2.3

Rectangular EzySlide Damper

Round EzySlide Dampers are perfect for trunk dampening when you have access to the duct work.



Part Number	A: Blade Dimensions (in.)	B: Plate Dimensions (in.)	Shipping Weight (lbs.)
STKSB- 8 X10	8.5x10.5	8x10	2.5
STKSB- 8 X12	8.5x12.5	8x12	3.0
STKSB- 8 X14	8.5x14.5	8x14	2.9
STKSB- 8 X16	8.5x16.5	8x16	4.2
STKSB- 8 X18	8.5x18.5	8x18	5.3
STKSB- 8 X20	8.5x20.5	8x20	5.6
STKSB- 8 X22	8.5x22.5	8x22	6.8
STKSB- 8 X24	8.5x24.5	8x24	7.1
STKSB- 8 X26	8.5x26.5	8x26	7.4
STKSB- 8 X28	8.5x28.5	8x28	7.7
STKSB- 8 X30	8.5x30.5	8x30	8.0
STKSB- 8 X32	8.5x32.5	8x32	8.3
STKSB-10 X12	10.5x12.5	8x12	3.7
STKSB-10 X14	10.5x14.5	8x14	4.1
STKSB-10 X16	10.5x16.5	8x16	4.8
STKSB-10 X18	10.5x18.5	8x18	6.5
STKSB-10 X20	10.5x20.5	8x20	6.8
STKSB-10 X22	10.5x22.5	8x22	7.1
STKSB-10 X24	10.5x24.5	8x24	7.5
STKSB-10 X26	10.5x26.5	8x26	7.9
STKSB-10 X28	10.5x28.5	8x28	8.4
STKSB-10 X30	10.5x30.5	8x30	8.8
STKSB-12 X14	12.5x14.5	8x14	4.3
STKSB-12 X16	12.5x16.5	8x16	4.6
STKSB-12 X18	12.5x18.5	8x18	5.2
STKSB-12 X20	12.5x20.5	8x20	5.3
STKSB-12 X22	12.5x22.5	8x22	7.0
STKSB-12 X24	12.5x24.5	8x24	7.4
STKSB-12 X26	12.5x26.5	8x26	7.8
STKSB-12 X28	12.5x28.5	8x28	8.2
STKSB-12 X30	12.5x30.5	8x30	8.6
STKSB-E 8X10	8.5x10.5	8x10	2.5
STKSB-E 8X12	8.5x12.5	8x12	3.0
STKSB-E 8X14	8.5x14.5	8x14	2.9
STKSB-E 8X16	8.5x16.5	8x16	4.2
STKSB-E 8X18	8.5x18.5	8x18	5.3
STKSB-E 8X20	8.5x20.5	8x20	5.6
STKSB-E 8X22	8.5x22.5	8x22	6.8
STKSB-E 8X24	8.5x24.5	8x24	7.1
STKSB-E 8X26	8.5x26.5	8x26	7.4
STKSB-E 8X28	8.5x28.5	8x28	7.7
STKSB-E 8X30	8.5x30.5	8x30	8.0

Part Number	A: Blade Dimensions (in.)	B: Plate Dimensions (in.)	Shipping Weight (lbs.)
STKSB-E 8X32	8.5x32.5	8x32	8.3
STKSB-E10X12	10.5x12.5	8x12	3.7
STKSB-E10X14	10.5x14.5	8x14	4.1
STKSB-E10X16	10.5x16.5	8x16	4.8
STKSB-E10X18	10.5x18.5	8x18	6.5
STKSB-E10X20	10.5x20.5	8x20	6.8
STKSB-E10X22	10.5x22.5	8x22	7.1
STKSB-E10X24	10.5x24.5	8x24	7.5
STKSB-E10X26	10.5x26.5	8x26	7.9
STKSB-E10X28	10.5x28.5	8x28	8.4
STKSB-E10X30	10.5x30.5	8x30	8.8
STKSB-E12X14	12.5x14.5	8x14	4.3
STKSB-E12X16	12.5x16.5	8x16	4.6
STKSB-E12X18	12.5x18.5	8x18	5.2
STKSB-E12X20	12.5x20.5	8x20	5.3
STKSB-E12X22	12.5x22.5	8x22	7.0
STKSB-E12X24	12.5x24.5	8x24	7.4
STKSB-E12X26	12.5x26.5	8x26	7.8
STKSB-E12X28	12.5x28.5	8x28	8.2
STKSB-E12X30	12.5x30.5	8x30	8.6
STKSS-E 6X6	6.5x6.5	8x6	1.9
STKSS-E 8X 8	8.5x8.5	8x8	2.2
STKSS-E 8X10	8.5x10.5	8x8	2.5
STKSS-E 8X12	8.5x12.5	8x8	3.0
STKSS-E 8X14	8.5x14.5	8x8	2.9
STKSS-E 8X16	8.5x16.5	8x8	4.2
STKSS-E 8X18	8.5x18.5	8x8	5.3
STKSS-E 8X20	8.5x20.5	8x8	5.6
STKSS-E 8X22	8.5x22.5	8x8	6.8
STKSS-E10X10	10.5x10.5	8x10	3.5
STKSS-E10X12	10.5x12.5	8x10	3.7
STKSS-E10X14	10.5x14.5	8x10	4.1
STKSS-E10X16	10.5x16.5	8x10	4.8
STKSS-E10X18	10.5x18.5	8x10	6.5
STKSS-E10X20	10.5x20.5	8x10	6.8
STKSS-E12X12	12.5x12.5	8x12	3.9
STKSS-E12X14	12.5x14.5	8x12	4.3
STKSS-E12X16	12.5x16.5	8x12	4.6
STKSS-E12X18	12.5x18.5	8x12	5.2
STKSS-E12X20	12.5x20.5	8x12	5.3
STKSS-E12X22	12.5x22.5	8x12	7.0
STKSS-E12X26	12.5x26.5	8x12	7.8

Custom sizes available