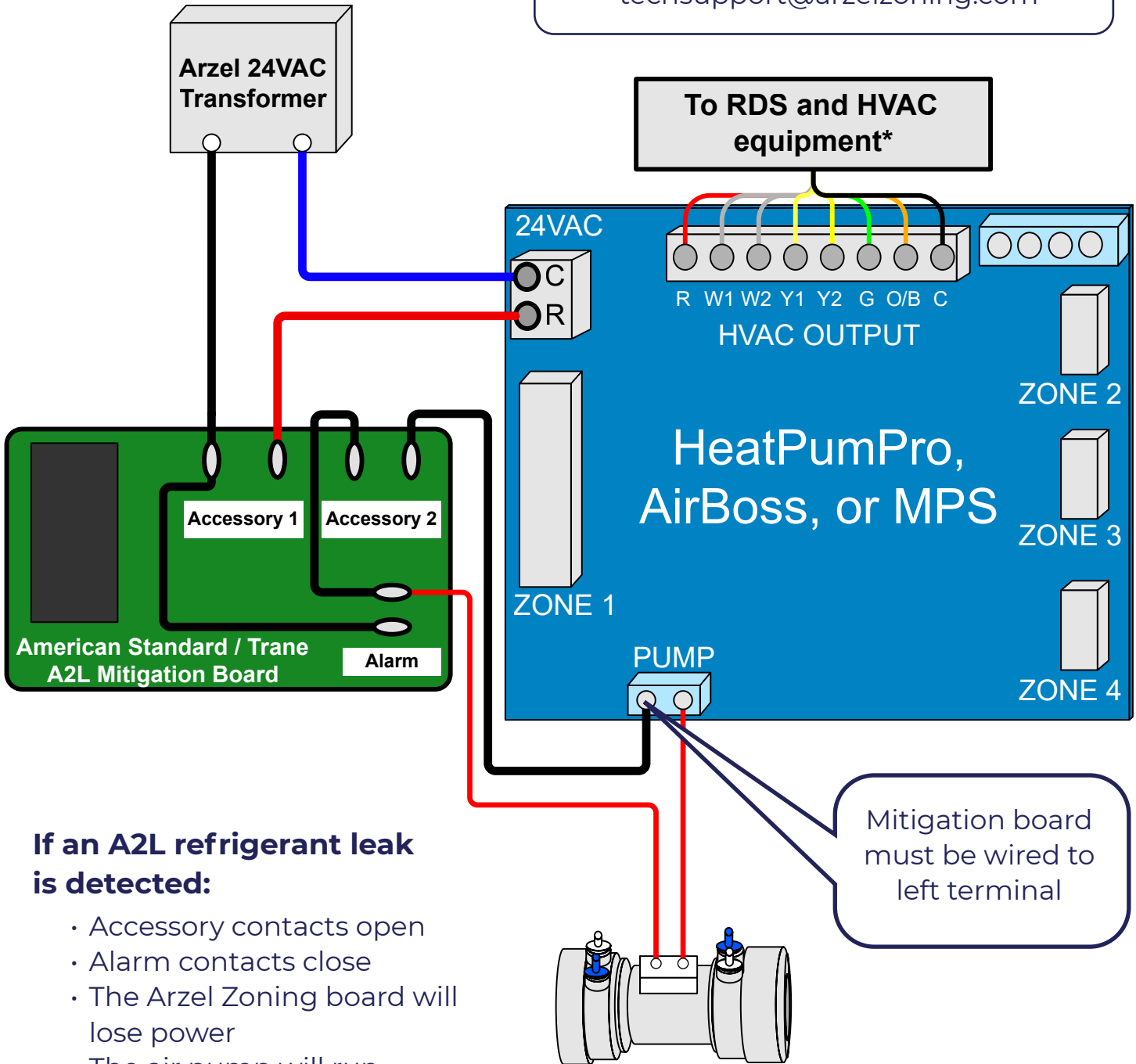




A2L Mitigation Wiring American Standard and Trane

Arzel Technical Support
1-800-611-8312
techsupport@arzelzoning.com



If an A2L refrigerant leak is detected:

- Accessory contacts open
- Alarm contacts close
- The Arzel Zoning board will lose power
- The air pump will run continuously
- All zoning dampers will open

*** Wire HVAC outputs as if they were connections for a thermostat.**