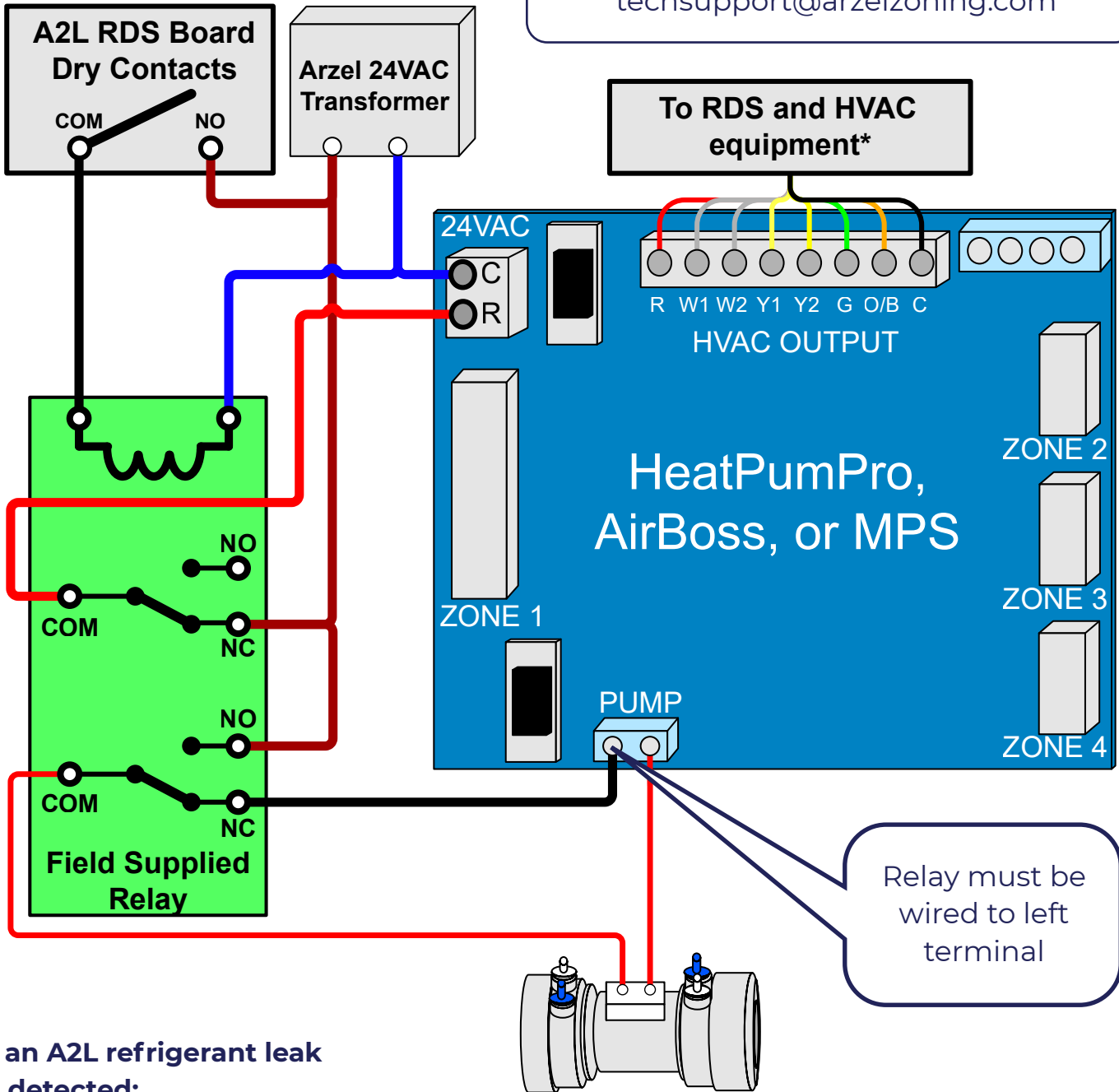


A2L Mitigation Wiring Dry Contacts that Close During a Leak

Arzel Technical Support
1-800-611-8312
techsupport@arzelzoning.com



If an A2L refrigerant leak is detected:

- The refrigerant detection system (RDS) board closes dry contacts
- The field-supplied relay will be energized
- The Arzel Zoning board will lose power
- The air pump will run continuously
- All zoning dampers will open

* **Wire HVAC outputs as if they were connections for a thermostat.**