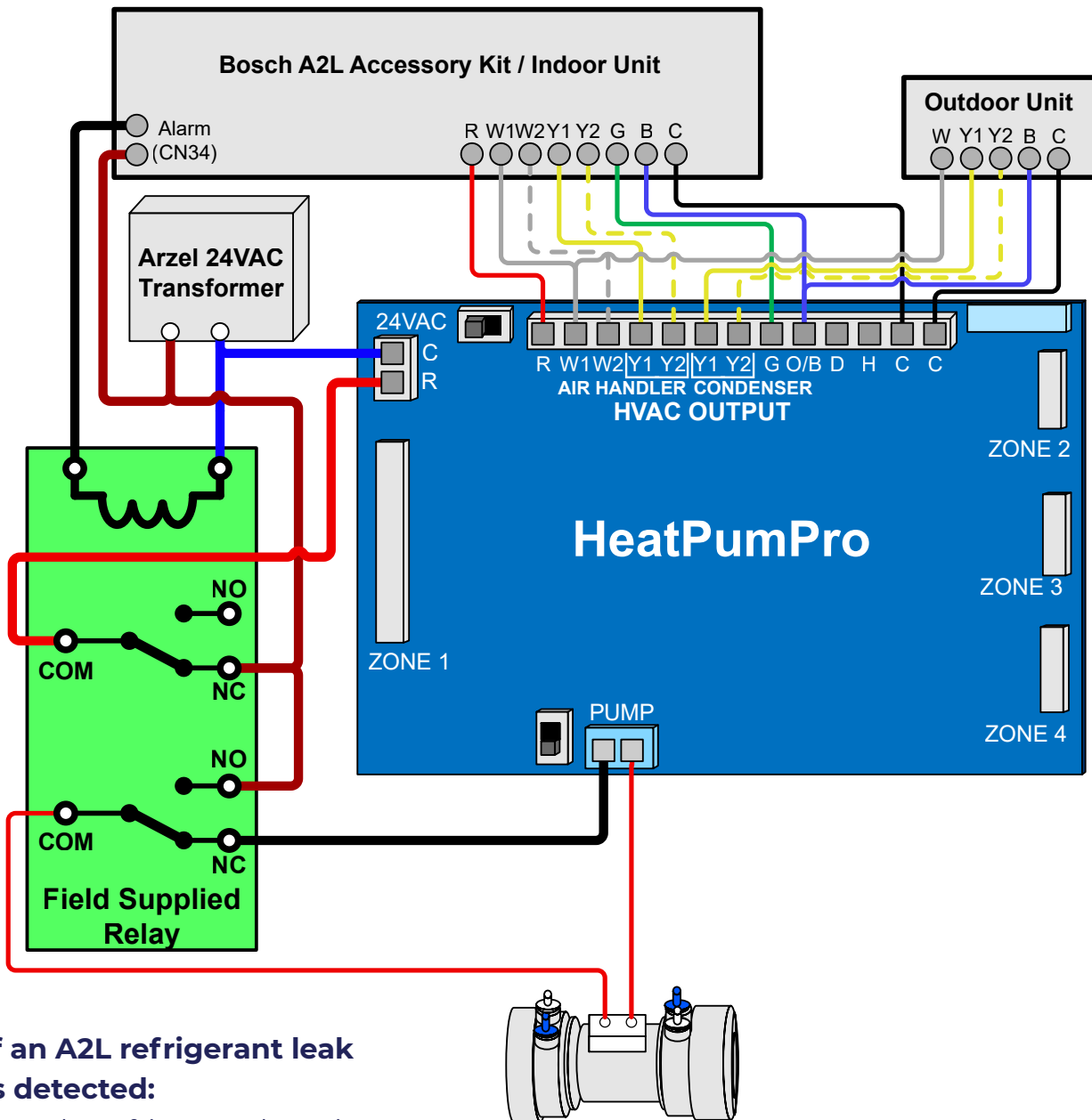




A2L Mitigation Wiring HeatPumPro with Bosch Equipment

Arzel Technical Support
1-800-611-8312
techsupport@arzelzoning.com



If an A2L refrigerant leak is detected:

- The refrigerant detection system (RDS) board closes dry contacts
- The field-supplied relay will be energized
- The Arzel Zoning board will lose power
- The air pump will run continuously
- All zoning dampers will open

Note: We recommend using the Pro Panel when possible to simplify A2L wiring. Go to www.arzelzoning.com/A2L for more information.