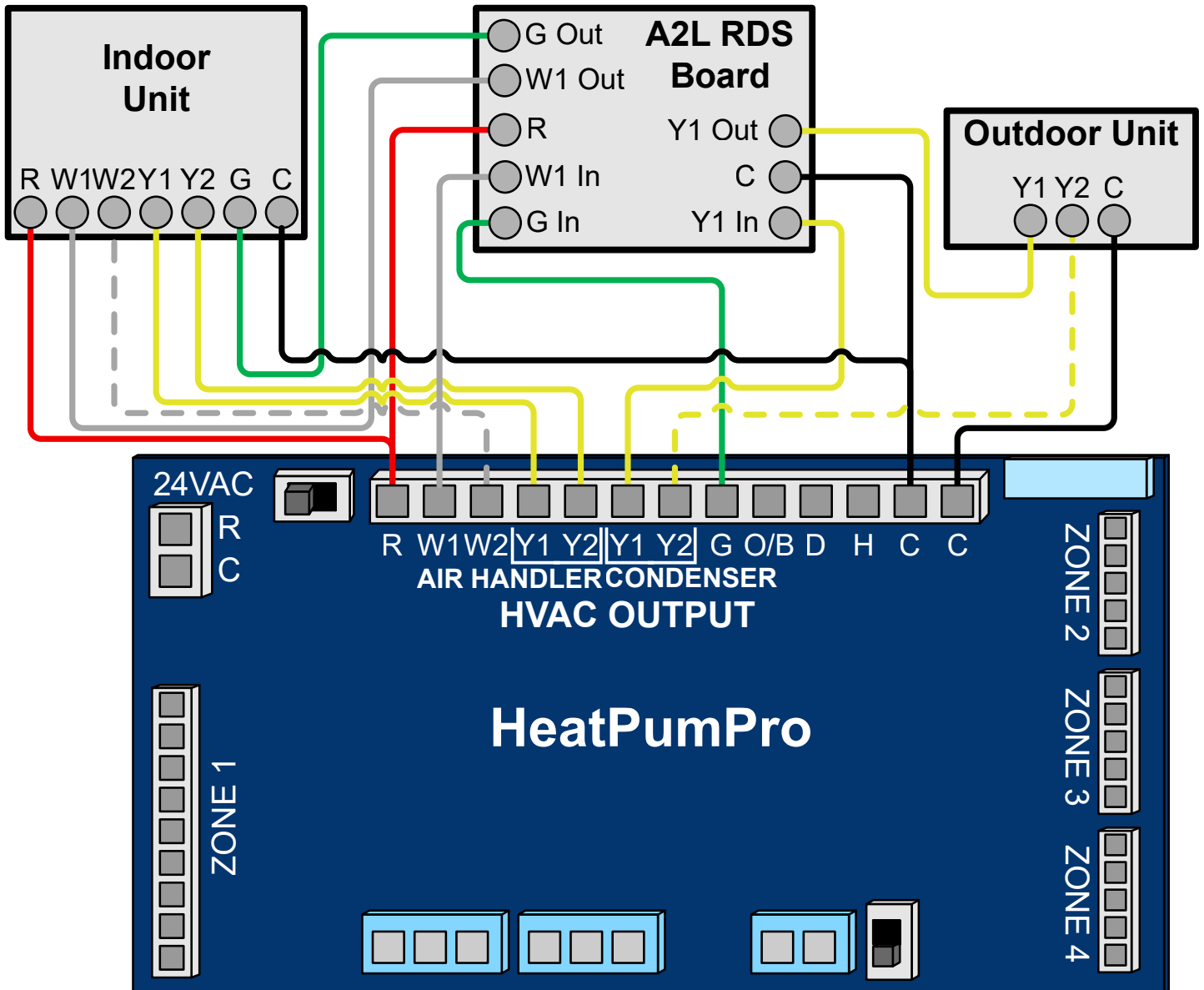




A2L Mitigation Wiring HeatPumPro with RDS that Breaks Y During Leak

Arzel Technical Support
1-800-611-8312
techsupport@arzelzoning.com



Note: This wiring scheme will not open the dampers in the event of a refrigerant leak. To open the dampers, you will need to add a relay. Go to www.arzelzoning.com/A2L for more information.